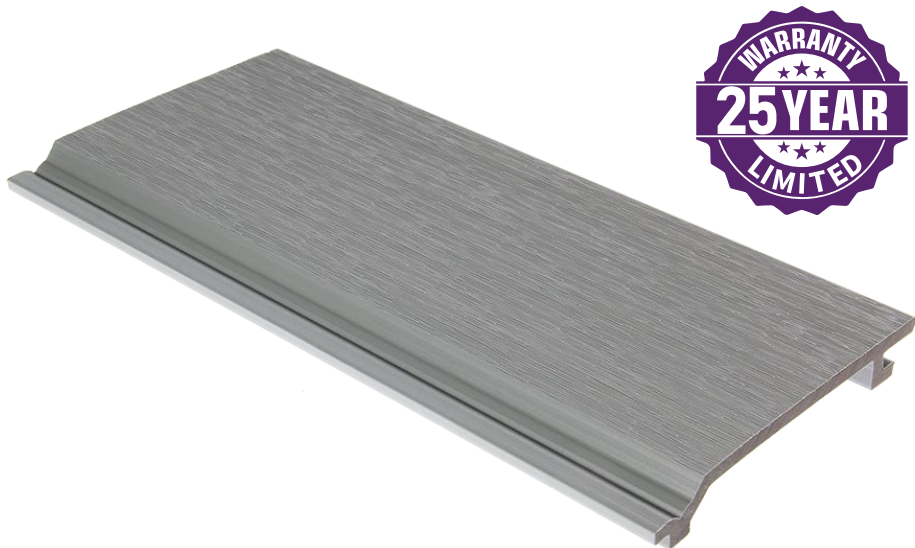


# Capped Pro Collection Cladding



E V O D E K<sup>®</sup>  
ETERNAL HOPE · FLOWING GRAIN



Item	CPC-01
Sectional View	
Size	157*21mm
Lengths	2.2m 2.7m 3.6m or customized
Surface	Ultra Grain
Ingredients	50% Wood Fiber, 38% HDPE, 12% Additives



**Weather Resistance**  
High resistance to moisture, termite, mildew...



**DIY**  
Anti-slippery, no crack & splinter, low heat-conductive



**Barefoot Friendly**  
Hidden-connector design, safe, beautiful, easy-install, low material & labor cost



**Low-maintenance**  
Easy to clean, no regular painting required



**Eco-friendly**  
Environment-friendly, 100% recyclable



**Certificated**  
BAL29, CE, FSC, ISO...

## FEATURE



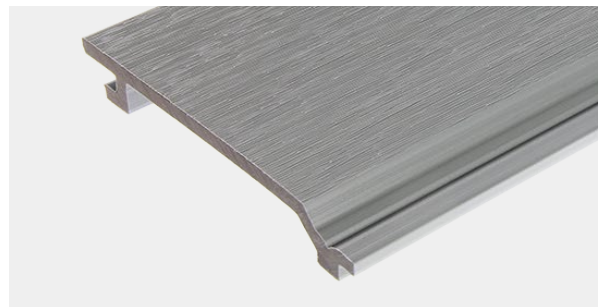
### Ultra Natural Wood Grain

- ◆ Proprietary 3D Graining Tech:  
A Stereo-Visual Effect, and A Natural Wood Touch;
- ◆ Proprietary Double-Tone Art Color Tech:  
A Stunningly Natural Wood Looking



### Ultra Strong Core

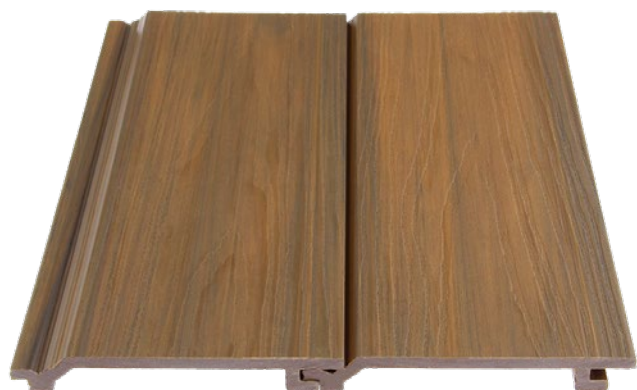
- ◆ Selected Formula:  
A Selected Comprehensive Performance
- ◆ Dual-Screw Extrusion Tech: A Better Materials Diffusion  
& Particles Interlock Denser & Stronger



### Capped Pro Surface Protection

- ◆ Better Resistance to Scratch & Fade
- ◆ Better Nail-Holding

# EVOLUTION SURFACE



# EVOLUTION SURFACE



# EVOLUTION COLORS



Smoke Gray



Stone Gray



OAK



Dark Teak



Walnut



Ivory White



Space Gray



Amber Yellow



Maple



Teak

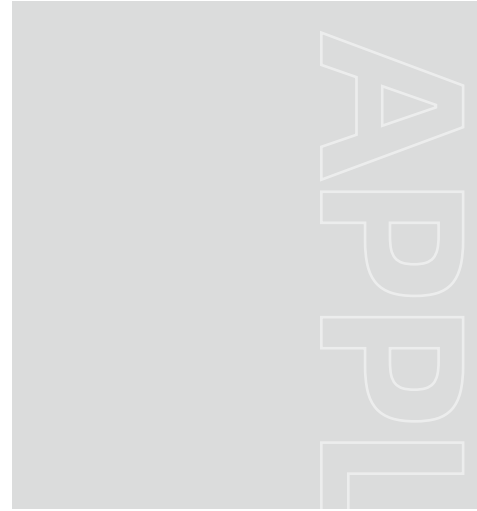


IPE



Black

# APPLICATION



# INSTALLATION INSTRUCTIONS



Chainsaw



Electric Drill



Electric Screwdriver



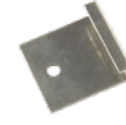
Tape Measure



Level



EA-04



EA-09



EA-10



EA-11



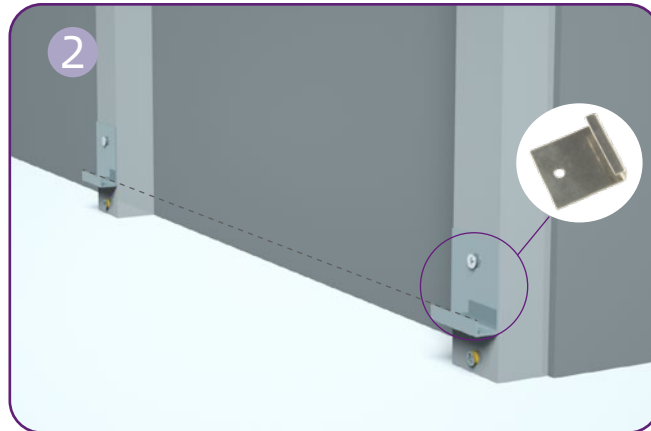
EA-12



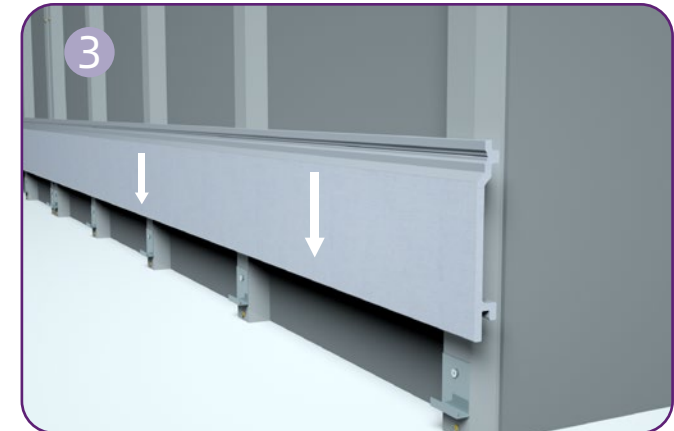
EA-13



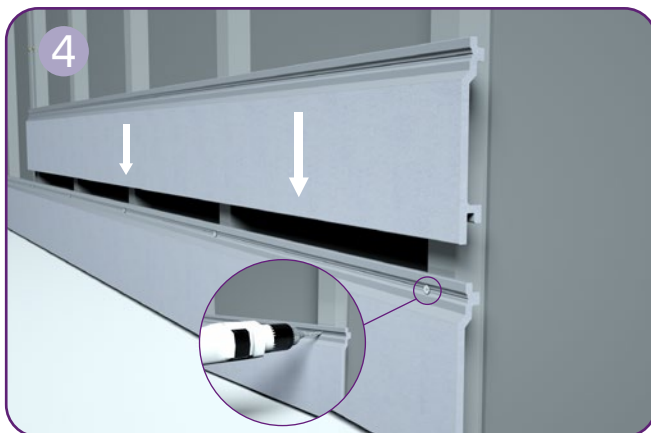
Fix joists to the wall at an interval of 500 mm with anchors. The spacing between two adjacent joists on-center should not exceed 450 mm.



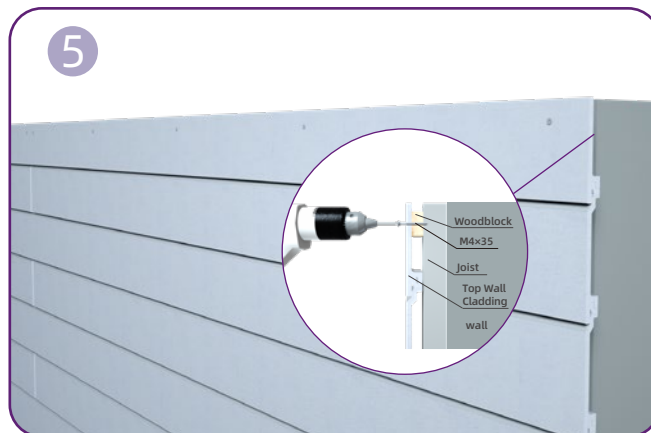
Fix start clips to joists with screws. Make sure that the start clips on each joist are in a straight horizontal line.



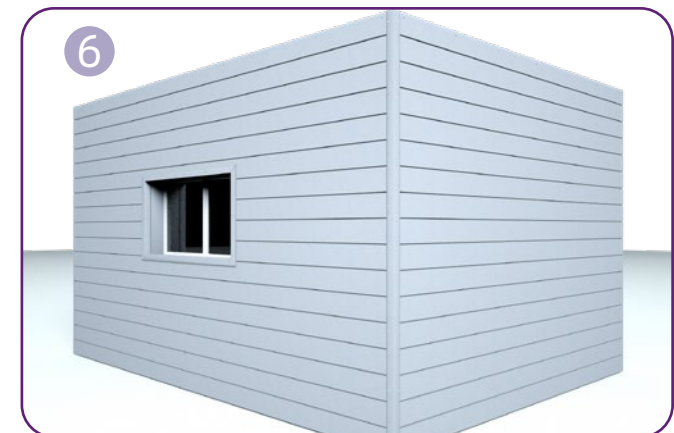
Fit the first row of cladding boards into the start clips.



Fix the first row of cladding boards to the joists with screws seated at the tongue. Put into place the second row of cladding boards. The tongues of the first row should fit into the grooves of the second row.



When it comes to the top of the wall, fix wood blocks of a suitable thickness to the top of the joists. Rip the cladding boards to a suitable width, then fix it to the woodblocks and joists with colored screws.



Cut the L corner to a suitable length, install the L-corner with colored screws. Continue and finish the installation in the same manner.



# EVODEK

- EVODEK® is a globally trusted brand in the innovation of wood plastic composites, striving to make you enjoy the indoor and outdoor living space.
- EVODEK® is committed to leading the WPC industry with patented extrusion technology, engineering exquisite wood plastic composite product and service, and making EVODEK® WPC an essential part of life for all.
- EVODEK® is committed to protecting the environment by manufacturing wood plastic composite made from recycled wood and plastic.
- Not only a material supplier, EVODEK® designs and produce wood plastic composite, tailoring to the special needs of the client, or meeting the harsh environment, with a well-equipped R&D facility and a professional design team.
- EVODEK® is looking for the dealers and partners from countries or regions, and is committed to the success of our partners first, and keep improving upon our customer support.



ETERNAL HOPE · FLOWING GRAIN

— [www.evodekco.com](http://www.evodekco.com) —